

OPENGATE®

**HIGHEST THROUGHPUT
WEAPONS DETECTION**
OF PEOPLE WITH BACKPACKS,
PURSES, AND BAGS



MAIN FEATURES

- **MULTI-CALIBER WEAPONS DETECTION**
- **HIGHEST THROUGHPUT**
with near zero nuisance alarms
- **NO DIVESTING REQUIRED**
with backpacks, purses and bags
- **HIGHLY PORTABLE** - Weighs only 25 lbs
- **QUICK TO SETUP AND INSTALL** -
Requires less than 1 minute.
Simply set up, switch on and go.
No technician required
- **VERSATILE USE** - Indoor or outdoor use,
with no overhead cover required
- **EASY TO OPERATE** -
Clear GO/NO GO signaling and
operation requires limited training
- **STANDARDS-BASED PERFORMANCE** -
Meets recognized international
and federal security standards



www.ceia-usa.com

THREAT DETECTION THROUGH ELECTROMAGNETICS

OPENGATE is a **Groundbreaking Weapons Detection System** designed for faster screening of people with their backpacks, purses and bags, etc. for the detection of a large variety/number of **Metal Threats**, such as high caliber assault weapons

GENERAL DESCRIPTION

- ✓ **OPENGATE is the first and only fully open, active walk-through detection system**, composed of **two freestanding pillars**.
- ✓ Contrary to Metal Detector Gates, **OPENGATE does not require any mechanical or electrical connection** between the two pillars that define the passageway.
- ✓ **Acoustic and optical signals**, located at the top of the pillars, provide real-time status and alarm indications.
- ✓ **OPENGATE is the most portable, elegant, easy to position and ready to use weapons detection system**. No installation, adjustment or assembly procedures.
- ✓ **Proprietary arch-free structure and operation solution**
- ✓ **Specialty top cap** allows for alarm visibility even in direct sunlight
- ✓ **OPENGATE power supply options** include either lithium ion batteries and/or standard wall outlet (110v).



OPENGATE is extremely versatile and can be used at a variety of entrances or security checkpoint locations, either indoors or outdoors



FEATURE HIGHLIGHTS

- **DETECTION TARGET**
Multi-caliber weapons and IEDs
- **OPERATIONAL USE**
 - Faster screening of people in transit with bags, backpacks, and purses
 - Extremely high throughput
 - Integrated high-precision transit counter
- **APPLICATIONS**
 - Stadiums / Arenas / Ballparks
 - Theme parks
 - Hospitals
 - Museums
 - Theaters
 - Convention centres
 - Transportation hubs
 - In general, all places open to the public characterized by the need to screen large crowds
- **EASY TO RELOCATE AND QUICK TO INSTALL**
Only 25 pounds with less than 1 minute setup time, it does not require adjustments or the assembly of mechanical and electrical parts



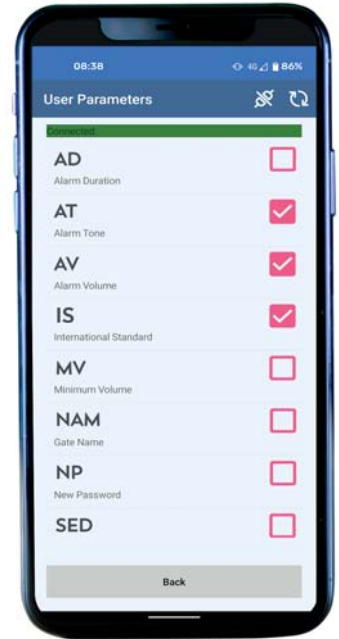
Detection and signaling parameters can be easily set via the OPENGATE App, designed **for smartphones or tablets** and based on Android or iOS operating systems

APP OPENGATE®

✓ **OPERATIVE SCREEN**



✓ **USER PARAMETERS**



MAIN COMPONENTS



- 360° VISUAL ALARM INDICATION



- CARRYING HANDLE



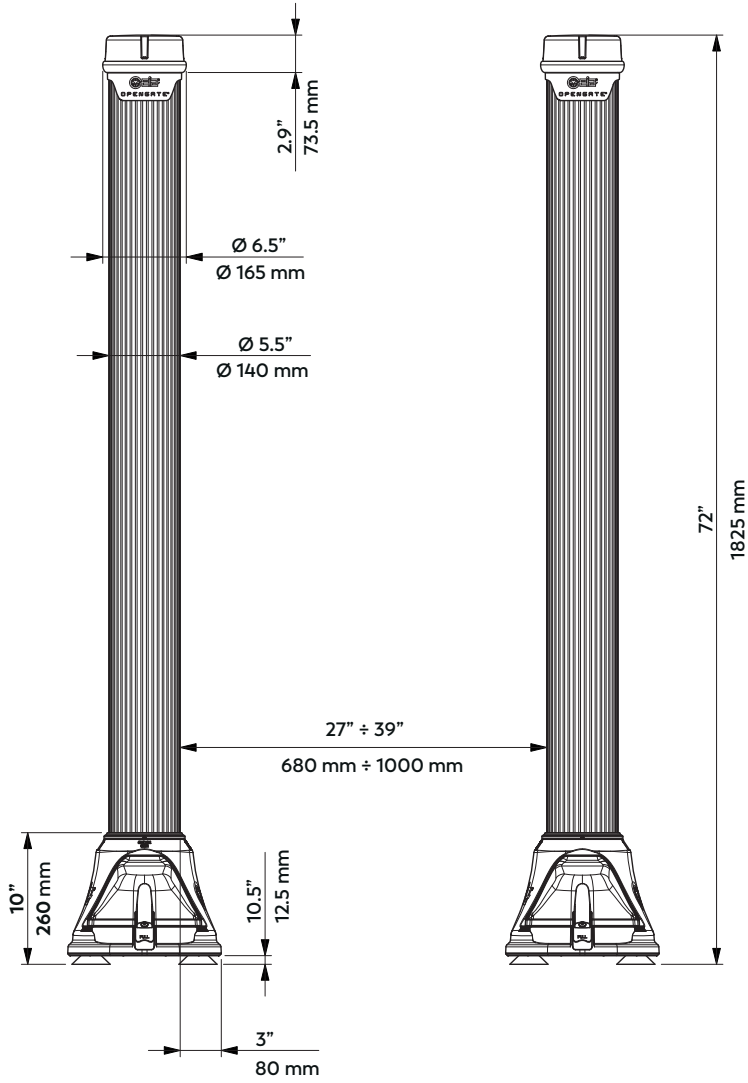
- A ON/OFF SWITCH
- B BATTERY COMPARTMENT (2x)
- C ADJUSTMENT FEET



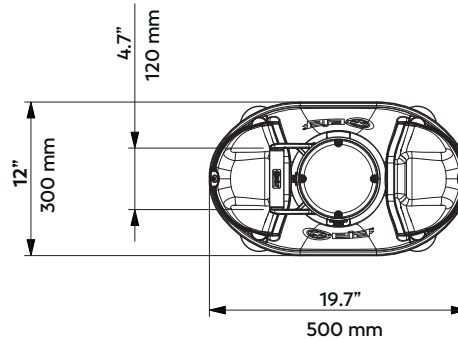
- EASY TO POSITION AND QUICK TO USE

OVERALL DIMENSIONS

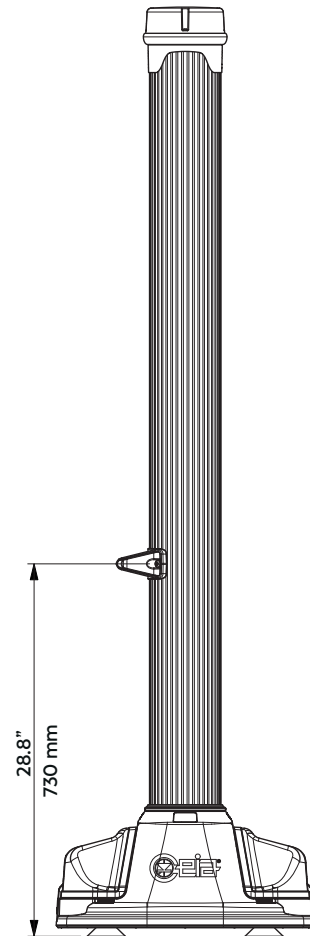
FRONT VIEW



TOP VIEW



SIDE VIEW



SPECIFICATIONS



GENERAL FEATURES	Detection of multi-caliber weapons			
	Extremely high throughput			
	Quick setup, immediate use			
	No external mechanical or electrical connections			
	Fields of application: all places open to the public characterised by large crowds where it is necessary to carry out a security inspection of the individuals without undressing			
Operational transit width: 27" ÷ 39" (680 mm ÷ 1000 mm)				
POWER SUPPLY	Batteries	18V - 12Ah lithium ion		
	Operating time (4 batteries)	Up to 14 hrs (with operational battery management)		
	Dual Bay simultaneous fast battery charger.	Power supply voltage	220 - 240 V	
		Charging time (2 batteries)	130 min	
	Standard Wall Outlet: 100..277V~ ±10%, 47...63Hz, 40 VA typical consumption	Dimensions	10.8" x 7.2" x 3.6" (275 mm x 184 mm x 92 mm)	
Weight		3.5 lbs (1.6 kg)		
ALARM SIGNAL	Optical	Indicator lights displayed at the top of the column	GREEN: OK, Ready	
			RED: Alarm, Self-diagnosis	
			BLUE: Wireless connection in progress	
			YELLOW: Battery level indication	
	Acoustic	Internal buzzer		
PROGRAMMING	Available through the CEIA OPENGATE FREE App - iOS or Android			
WEIGHT	Main column	Including batteries	33.5 lbs (15.2 kg)	
		Without batteries	26.5 lbs (12 kg)	
	Secondary column	Including batteries	30 lbs (13.7 kg)	
		Without batteries	23 lbs (10.5 kg)	
CERTIFICATES AND COMPLIANCE	Compliant with applicable regulations on human exposure to electromagnetic fields and safety for pacemaker wearers			
	Compliant with EU regulations and international standards for Electrical Safety and Electromagnetic Compatibility (EMC)			
	Harmless to magnetic media			
AMBIENT CONDITIONS	Operating temperature	OPENGATE	-0.4°F to 122°F [-18°C to +50°C]	
		Battery charger and battery being charged	40°F to 105°Fº [+ 5°C to + 40°C]	
	Storage temperature	-34°F to 122°F [-37°C to +50°C]		
	Relative humidity	0 to 95%, without condensation		
	Altitude	up to 9,800 ft (3,000 m)		
	Installation category	II (IEC61010-1)		
	Pollution rating	2 (IEC61010-1)		
	Maximum intensity of emitted magnetic field	< 40 db uA/m @ 10 m		



CEIA USA Ltd - 6336 Hudson Crossing Parkway, Hudson OH 44236
P 330-405 3190 • **F** 330-405 3196 • **E** security@ceia-usa.com • **CALL** (833) 224-2342 (CEIA)

www.ceia-usa.com

CEIA USA reserves the right to make changes, at any moment and without notice, to the models (including programming), their accessories and options, to the prices and conditions of sale - DP060K0096v4000uUS - 2022